

Stand-on lowlifter truck 2.0 ton

BT levio

S-series

LSE200



Stand-on lowlifter truck

Specifications					LSE200	
Identification	1.1	Manufacturer				BT
	1.2	Model				LSE200
	1.3	Drive				Electric
	1.4	Operator type				Stand on
	1.5	Load capacity/rated load	Q	kg		2000
	1.6	Load centre	c	mm		600
	1.8	Load distance, front axle to front face, fork raised/lowered	x	mm		958 ¹⁾
	1.9	Wheelbase	y	mm		1558 ¹⁾
	Weight	2.1	Service weight without battery		kg	
2.2		Axle load, with load, drive/castor/fork wheel		kg		1210/1750
2.3		Axle load, without load, drive/castor/fork wheel		kg		770/225
Wheels	3.1	Drive/castor/fork wheel				Vulkollan
	3.2	Wheel size, front		mm		Ø 85
	3.3	Wheel size, rear		mm		Ø 250
Dimensions	4.4	Lift	h_3	mm		150
		Lift height	h_{23}	mm		235
	4.8	Instep height	h_7	mm		254
	4.15	Height, fork lowered	h_{13}	mm		85
	4.19	Overall length	l_1	mm		2024 ¹⁾ *
	4.20	Length to face of forks	l_2	mm		874
	4.21	Overall width	b_1	mm		770
	4.22	Fork dimensions	e/l	mm		180/1150*
	4.25	Width over forks	b_5	mm		450/520/550/570/685
	4.32	Ground clearance, centre of wheelbase	m_1	mm		100
	4.34	Aisle width for pallets 800 x 1200 lengthways	A_{st}	mm		2274 ¹⁾
4.35	Turning radius	W_a	mm		1855 ¹⁾	
Perf.	5.1	Travel speed, with/without load		km/h		8/10,5
	5.2	Lift speed, with/without load		m/s		0,05/0,07
	5.3	Lowering speed, with/without load		m/s		0,054/0,054
	5.8	Max. gradeability, with/without load ²⁾		%		8/18
	5.10	Service brake				2 stage electromagnetic
Electric motor	6.1	Drive motor rating S2 60 min		kW		2,2
	6.2	Lift motor rating at S3 5%		kW		2,2
	6.4	Battery voltage/nominal capacity K_5		V/Ah		310-620
	6.5	Battery weight		kg		249-476
	Others	8.1	Type of drive control			
8.6		Steering		°		180

1) l = 1150

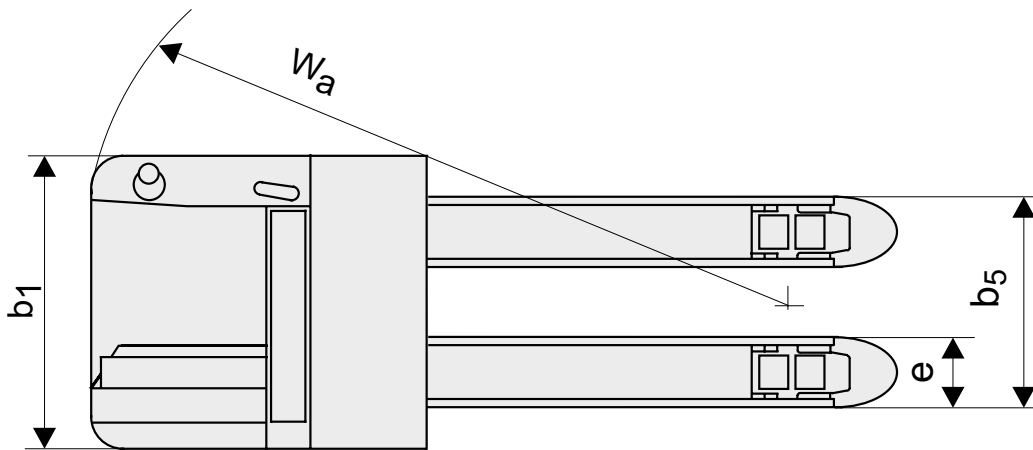
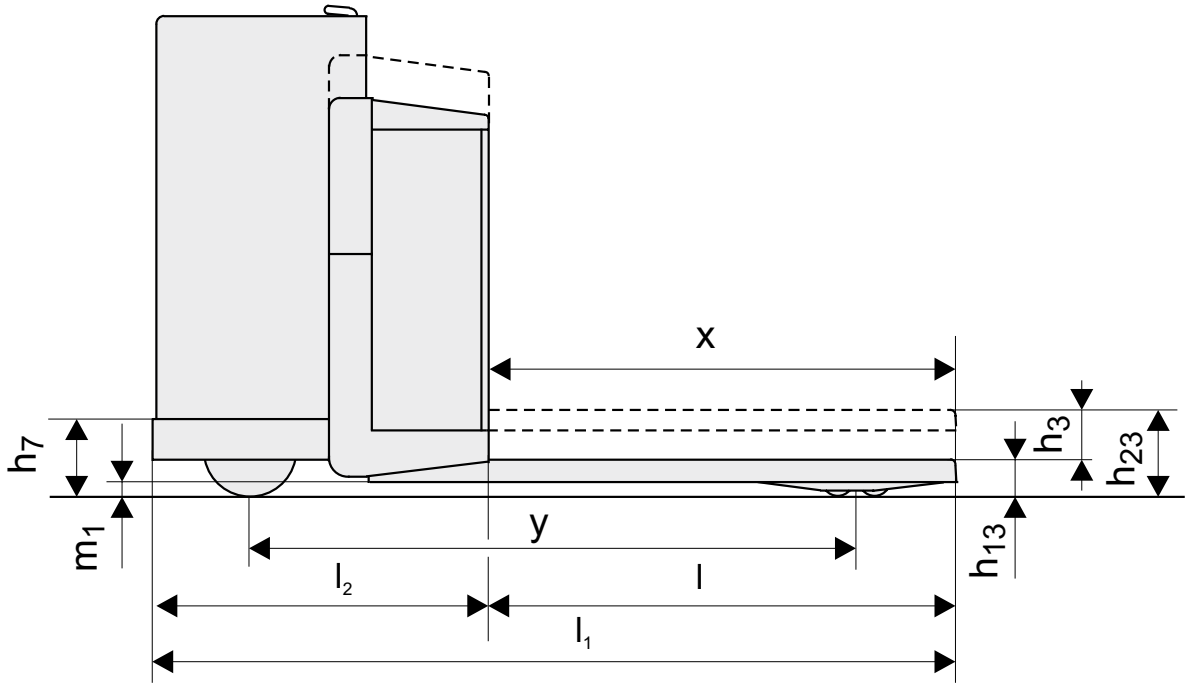
2) Measured according to company standard

* Other dimensions available

All data are based on table configuration. Other configurations may give other values.

Truck performance and dimensions are nominal and subject to tolerances.

BT products and specifications are subject to change without notice.



Truck features:

- Controls 45 degrees
- Controls 90 degrees
- Electronic steering
- 180° steering
- Driver detection system
- Adjustable backrest
- Easy access for maintenance
- Sideways battery change

